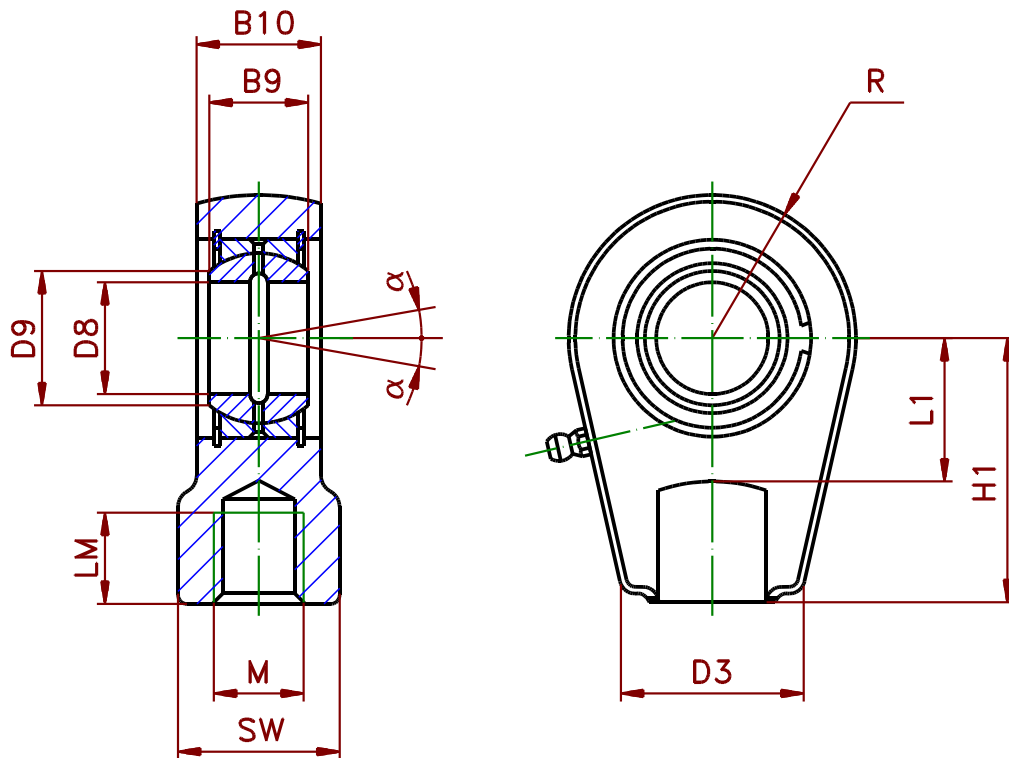
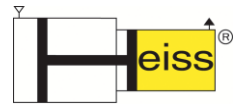


Hydraulic Swivel Head GKA



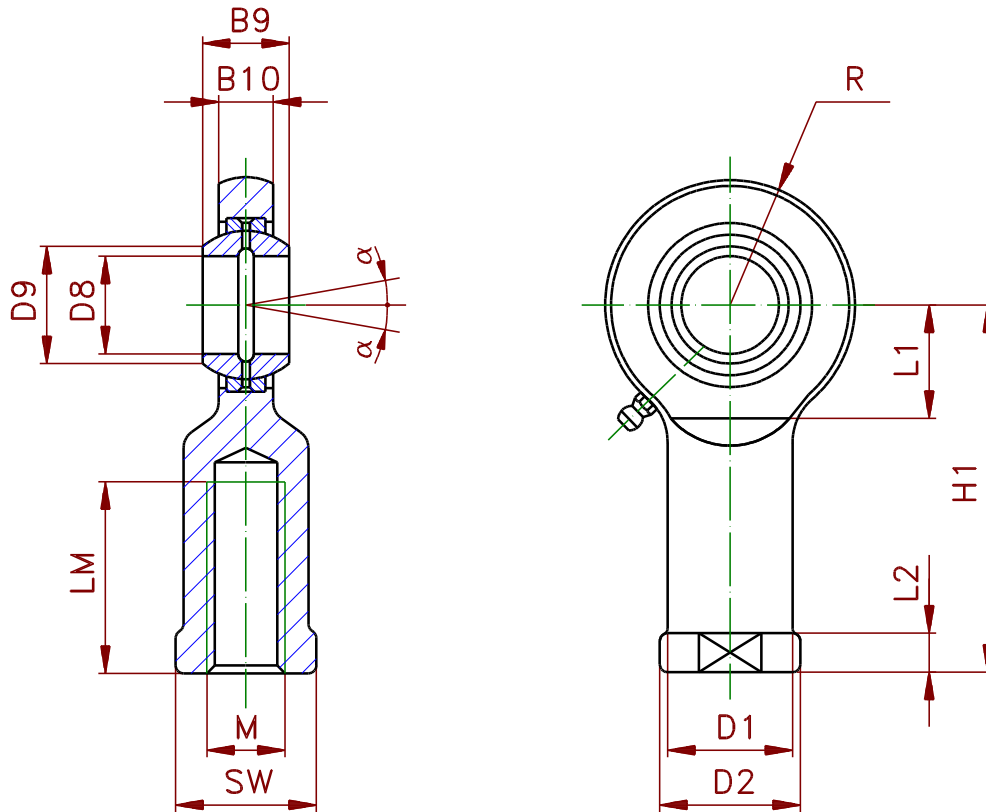
Swivel head also available with lockable thread.
Please add " - K " when ordering. Example: GKA 20 - K

| Description: | Dimensions: | | | | | | | | | | | | Load rating: | | Weight: |
|----------------|-------------|-----|----|-----|---------|-----|-----|-----|-----|-----|-----|----------|--------------|----------------|---------|
| | D8 | D9 | B9 | B10 | M | LM | H1 | R | D3 | L1 | SW | α | C | C ₀ | G |
| | [mm] | | | | | | | | | | | | [°] | [kN] | [kg] |
| GKA 20 | 20 | 24 | 16 | 19 | M16x1,5 | 17 | 50 | 30 | 41 | 25 | 25 | 9 | 30 | 72 | 0,43 |
| GKA 25 | 25 | 29 | 20 | 23 | M16x1,5 | 17 | 50 | 30 | 41 | 25 | 25 | 7 | 48 | 72 | 0,48 |
| GKA 30 | 30 | 34 | 22 | 28 | M22x1,5 | 23 | 60 | 34 | 46 | 30 | 32 | 6 | 62 | 106 | 0,74 |
| GKA 35 | 35 | 40 | 25 | 30 | M28x1,5 | 29 | 70 | 42 | 58 | 38 | 40 | 6 | 80 | 153 | 1,2 |
| GKA 40 | 40 | 45 | 28 | 35 | M35x1,5 | 36 | 85 | 50 | 66 | 45 | 49 | 7 | 100 | 250 | 2,0 |
| GKA 50 | 50 | 56 | 35 | 40 | M45x1,5 | 46 | 105 | 63 | 88 | 55 | 61 | 6 | 156 | 365 | 3,8 |
| GKA 60 | 60 | 67 | 44 | 50 | M58x1,5 | 59 | 130 | 70 | 90 | 65 | 75 | 6 | 245 | 400 | 5,4 |
| GKA 70 | 70 | 78 | 49 | 55 | M65x1,5 | 66 | 150 | 82 | 100 | 75 | 86 | 6 | 315 | 540 | 8,5 |
| GKA 80 | 80 | 88 | 55 | 60 | M80x2 | 81 | 170 | 95 | 125 | 80 | 102 | 6 | 400 | 670 | 12,0 |
| GKA 90 | 90 | 98 | 60 | 65 | M100x2 | 101 | 210 | 113 | 146 | 90 | 124 | 5 | 490 | 980 | 21,5 |
| GKA 100 | 100 | 110 | 70 | 70 | M110x2 | 111 | 235 | 125 | 166 | 105 | 138 | 7 | 610 | 1120 | 27,5 |
| GKA 110 | 110 | 121 | 70 | 80 | M120x3 | 125 | 265 | 143 | 190 | 115 | 152 | 6 | 655 | 1700 | 40,5 |
| GKA 120 | 120 | 136 | 85 | 90 | M130x3 | 135 | 310 | 180 | 217 | 140 | 172 | 6 | 950 | 2900 | 76,0 |

Design subject to change

Revision C * 30.04.2014 *K.E.*\..Zubehör_english

Hydraulic Swivel Head GK

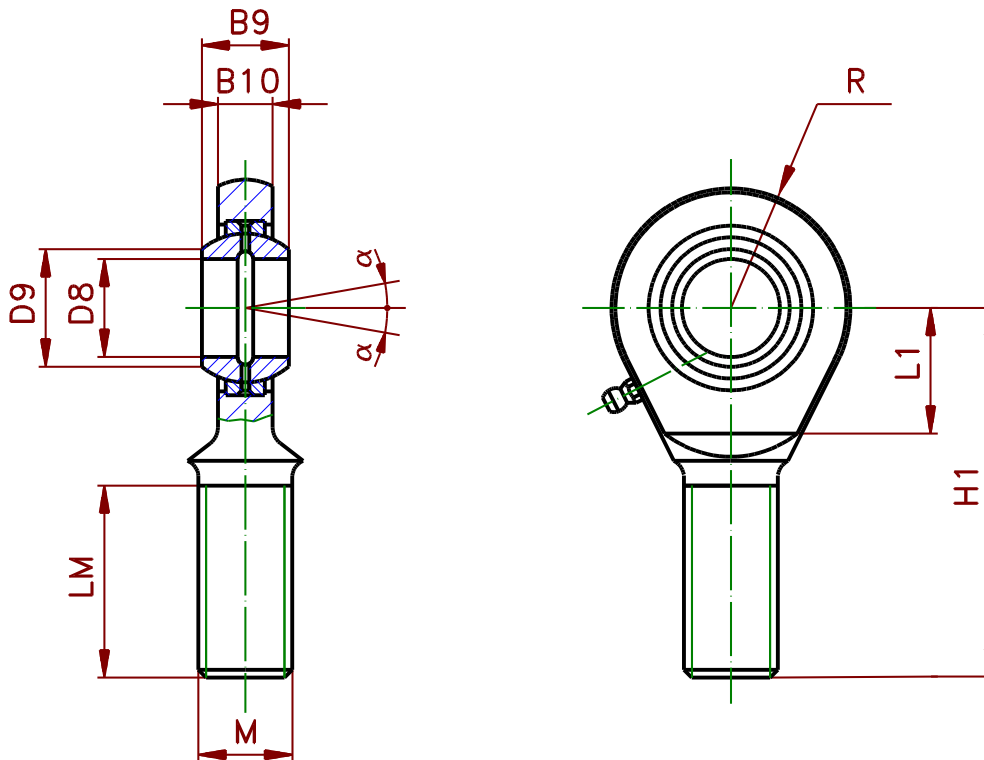


| Description: | Dimensions: | | | | | | | | | | | | | Load rating: | | Weight: |
|--------------|-------------|----|----|-----|---------|----|-----|----|----|-----|-----|-----|----------|--------------|----------------|---------|
| | D8 H8 | D9 | B9 | B10 | M | LM | H1 | R | D1 | D2 | L1 | SW | α | C | C ₀ | G |
| | [mm] | | | | | | | | | | | | | [°] | [kN] | |
| GK 5 | 5 | 8 | 8 | 6 | M5 | 10 | 27 | 9 | 9 | 11 | 10 | 9 | 13 | 1,6 | 3,1 | 0,013 |
| GK 6 | 6 | 8 | 6 | 4,4 | M6 | 11 | 30 | 11 | 10 | 13 | 12 | 11 | 13 | 3,4 | 8,1 | 0,021 |
| GK 8 | 8 | 10 | 8 | 6 | M8 | 15 | 36 | 12 | 13 | 16 | 14 | 14 | 15 | 5,5 | 12,9 | 0,039 |
| GK 10 | 10 | 13 | 9 | 7 | M10 | 20 | 43 | 15 | 15 | 19 | 15 | 17 | 12 | 8,1 | 17,6 | 0,061 |
| GK 12 | 12 | 15 | 10 | 8 | M12 | 23 | 50 | 17 | 18 | 22 | 18 | 19 | 11 | 10,8 | 24,5 | 0,096 |
| GK 15 | 15 | 18 | 12 | 10 | M14 | 30 | 61 | 20 | 21 | 26 | 20 | 22 | 8 | 17,0 | 36,0 | 0,18 |
| GK 17 | 17 | 21 | 14 | 11 | M16 | 34 | 67 | 23 | 24 | 30 | 23 | 27 | 10 | 21,2 | 45,0 | 0,22 |
| GK 20 | 20 | 24 | 16 | 13 | M20x1,5 | 40 | 77 | 27 | 28 | 35 | 27 | 32 | 9 | 30,0 | 60,0 | 0,35 |
| GK 25 | 25 | 29 | 20 | 17 | M24x2 | 48 | 94 | 32 | 34 | 42 | 32 | 36 | 7 | 48,0 | 83,0 | 0,64 |
| GK 30 | 30 | 34 | 22 | 19 | M30x2 | 56 | 110 | 37 | 40 | 50 | 37 | 41 | 6 | 62,0 | 110,0 | 0,93 |
| GK 35 | 35 | 40 | 25 | 21 | M36x3 | 60 | 125 | 41 | 47 | 58 | 42 | 50 | 6 | 80,0 | 146,0 | 1,3 |
| GK 40 | 40 | 45 | 28 | 23 | M39x3 | 65 | 142 | 46 | 52 | 65 | 48 | 55 | 7 | 100,0 | 180,0 | 2,0 |
| GK 45 | 45 | 51 | 32 | 27 | M42x3 | 65 | 145 | 51 | 58 | 70 | 52 | 60 | 7 | 127,0 | 240,0 | 2,5 |
| GK 50 | 50 | 56 | 35 | 30 | M45x3 | 68 | 160 | 56 | 62 | 75 | 60 | 65 | 6 | 156,0 | 290,0 | 3,5 |
| GK 60 | 60 | 67 | 44 | 38 | M52x3 | 70 | 175 | 68 | 70 | 88 | 75 | 75 | 6 | 245,0 | 450,0 | 5,5 |
| GK 70 | 70 | 78 | 49 | 42 | M56x4 | 80 | 200 | 80 | 80 | 98 | 87 | 85 | 6 | 315,0 | 610,0 | 8,6 |
| GK 80 | 80 | 89 | 55 | 47 | M64x4 | 85 | 230 | 90 | 95 | 110 | 100 | 100 | 6 | 400,0 | 750,0 | 12,0 |

Design subject to change

Revision B * 15.11.1996 *K.E.*\..Zubehör_english

Hydraulic Swivel Head GKI

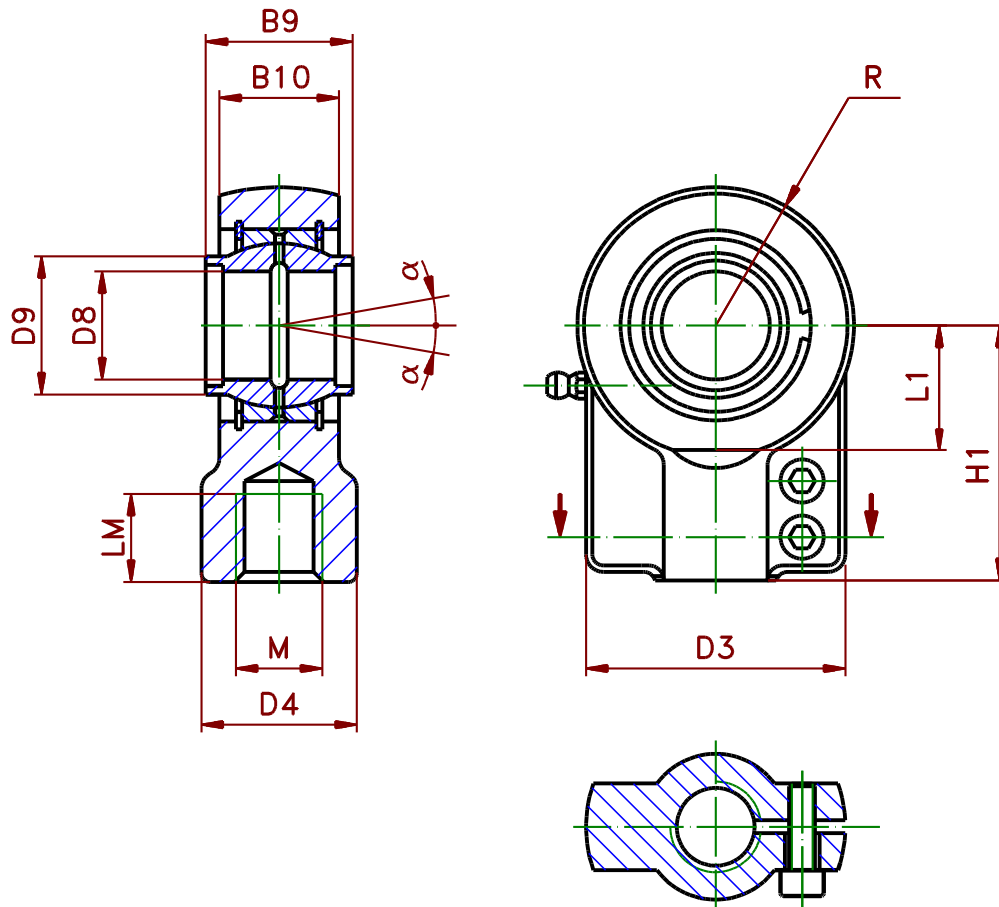


| Description: | Dimensions: | | | | | | | | | | Load rating: | | Weight: |
|---------------|-------------|----|----|-----|---------|-----|-----|----|-----|----------|--------------|----------------|---------|
| | D8 H8 | D9 | B9 | B10 | M | LM | H1 | R | L1 | α | C | C ₀ | G |
| | [mm] | | | | | | | | | [°] | [kN] | | [kg] |
| GKI 5 | 5 | 8 | 8 | 6 | M5 | 19 | 33 | 9 | 10 | 13 | 1,6 | 3,1 | 0,013 |
| GKI 6 | 6 | 8 | 6 | 4,4 | M6 | 18 | 36 | 11 | 12 | 13 | 3,4 | 8,1 | 0,017 |
| GKI 8 | 8 | 10 | 8 | 6 | M8 | 22 | 42 | 12 | 14 | 15 | 5,5 | 12,9 | 0,029 |
| GKI 10 | 10 | 13 | 9 | 7 | M10 | 26 | 48 | 15 | 15 | 12 | 8,1 | 17,6 | 0,051 |
| GKI 12 | 12 | 15 | 10 | 8 | M12 | 28 | 54 | 17 | 18 | 11 | 10,8 | 24,5 | 0,086 |
| GKI 15 | 15 | 18 | 12 | 10 | M14 | 34 | 63 | 20 | 20 | 8 | 17,0 | 36,0 | 0,14 |
| GKI 17 | 17 | 21 | 14 | 11 | M16 | 36 | 69 | 23 | 23 | 10 | 21,2 | 45,0 | 0,19 |
| GKI 20 | 20 | 24 | 16 | 13 | M20x1,5 | 43 | 78 | 27 | 27 | 9 | 30,0 | 60,0 | 0,31 |
| GKI 25 | 25 | 29 | 20 | 17 | M24x2 | 53 | 94 | 32 | 32 | 7 | 48,0 | 83,0 | 0,56 |
| GKI 30 | 30 | 34 | 22 | 19 | M30x2 | 65 | 110 | 37 | 37 | 6 | 62,0 | 110,0 | 0,89 |
| GKI 35 | 35 | 40 | 25 | 21 | M36x3 | 82 | 140 | 41 | 42 | 6 | 80,0 | 146,0 | 1,4 |
| GKI 40 | 40 | 45 | 28 | 23 | M39x3 | 86 | 150 | 46 | 48 | 7 | 100,0 | 180,0 | 1,8 |
| GKI 45 | 45 | 51 | 32 | 27 | M42x3 | 94 | 163 | 51 | 52 | 7 | 127,0 | 240,0 | 2,6 |
| GKI 50 | 50 | 56 | 35 | 30 | M45x3 | 107 | 185 | 56 | 60 | 6 | 156,0 | 290,0 | 3,4 |
| GKI 60 | 60 | 67 | 44 | 38 | M52x3 | 115 | 210 | 68 | 75 | 6 | 245,0 | 450,0 | 5,9 |
| GKI 70 | 70 | 78 | 49 | 42 | M56x4 | 125 | 235 | 80 | 87 | 6 | 315,0 | 610,0 | 8,2 |
| GKI 80 | 80 | 89 | 55 | 47 | M64x4 | 140 | 270 | 90 | 100 | 6 | 400,0 | 750,0 | 12,0 |

Design subject to change

Revision B * 15.11.1996 *K.E.*\.\Zubehör_english

Hydraulic Swivel Head GKK



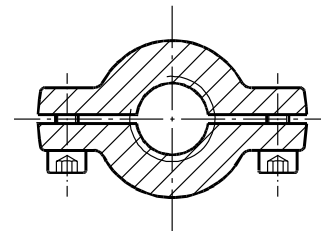
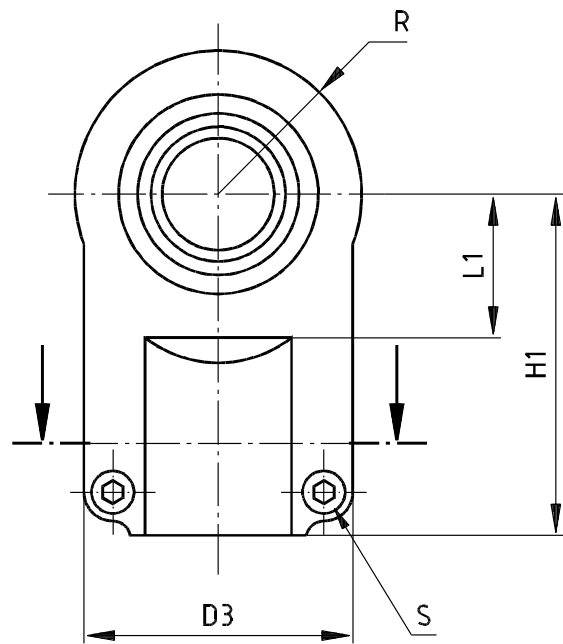
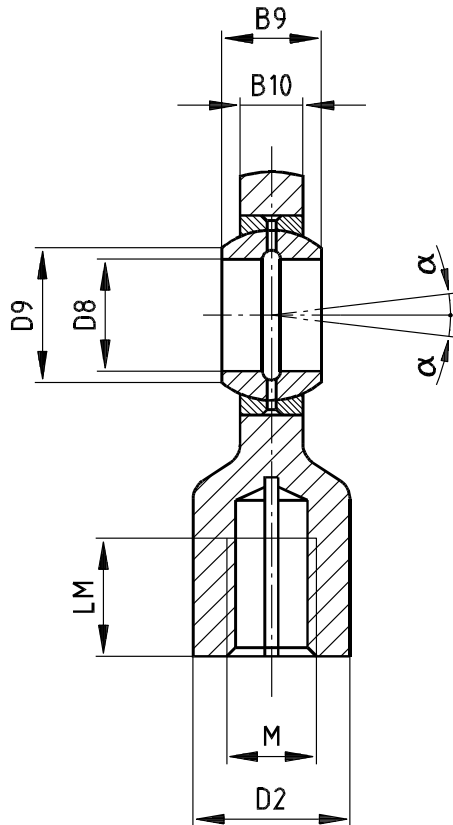
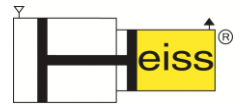
| Description: | Dimensions: | | | | | | | | | | | | Load rating: | | Weight: |
|----------------|-------------|-----|-----|-----|----------|-----|-----|-----|-----|-----|-----|----------|--------------|----------------|---------|
| | D8 H8 | D9 | B9 | B10 | M | LM | H1 | R | D3 | L1 | D4 | α | C | C ₀ | G |
| | [mm] | | | | | | | | | | | | [°] | [kN] | [kg] |
| GKK 12 | 12 | 16 | 12 | 11 | M12x1,25 | 17 | 38 | 22 | 32 | 14 | 17 | 4 | 10,8 | 24,5 | 0,1 |
| GKK 16 | 16 | 20 | 16 | 13 | M14x1,5 | 19 | 44 | 20 | 40 | 18 | 21 | 4 | 17,6 | 36,5 | 0,2 |
| GKK 20 | 20 | 25 | 20 | 17 | M16x1,5 | 23 | 52 | 25 | 47 | 22 | 25 | 4 | 30 | 48 | 0,4 |
| GKK 25 | 25 | 31 | 25 | 21 | M20x1,5 | 29 | 65 | 31 | 54 | 27 | 30 | 4 | 48 | 78 | 0,7 |
| GKK 32 | 32 | 38 | 32 | 27 | M27x2 | 37 | 80 | 39 | 66 | 32 | 38 | 4 | 67 | 114 | 1,2 |
| GKK 40 | 40 | 46 | 40 | 32 | M33x2 | 46 | 97 | 49 | 80 | 41 | 47 | 4 | 100 | 204 | 2,1 |
| GKK 50 | 50 | 57 | 50 | 40 | M42x2 | 57 | 120 | 60 | 96 | 50 | 58 | 4 | 156 | 310 | 4,4 |
| GKK 63 | 63 | 72 | 63 | 52 | M48x2 | 64 | 140 | 71 | 114 | 62 | 70 | 4 | 255 | 430 | 7,6 |
| GKK 70 | 70 | 79 | 70 | 57 | M56x2 | 76 | 160 | 85 | 135 | 70 | 80 | 4 | 315 | 540 | 9,5 |
| GKK 80 | 80 | 91 | 80 | 66 | M64x3 | 86 | 180 | 90 | 148 | 78 | 90 | 4 | 400 | 695 | 14,5 |
| GKK 90 | 90 | 99 | 90 | 72 | M72x3 | 91 | 195 | 101 | 160 | 85 | 100 | 4 | 490 | 750 | 17,0 |
| GKK 100 | 100 | 113 | 100 | 84 | M80x3 | 96 | 210 | 112 | 178 | 98 | 110 | 4 | 610 | 1060 | 28,0 |
| GKK 110 | 110 | 124 | 110 | 88 | M90x3 | 106 | 235 | 129 | 190 | 105 | 125 | 4 | 655 | 1200 | 32,0 |
| GKK 125 | 125 | 138 | 125 | 102 | M100x3 | 113 | 260 | 145 | 200 | 120 | 135 | 4 | 950 | 1430 | 43,0 |
| GKK 160 | 160 | 177 | 160 | 130 | M125x4 | 126 | 310 | 178 | 250 | 150 | 165 | 4 | 1370 | 2200 | 80,0 |
| GKK 200 | 200 | 221 | 200 | 162 | M160x4 | 161 | 390 | 230 | 320 | 195 | 215 | 4 | 2120 | 3650 | 165,0 |

Design subject to change

Revision C * 30.04.2014 *K.E.*\..Zubehör_english

Hydraulic Swivel Head CGKA

- according to DIN 24555 -

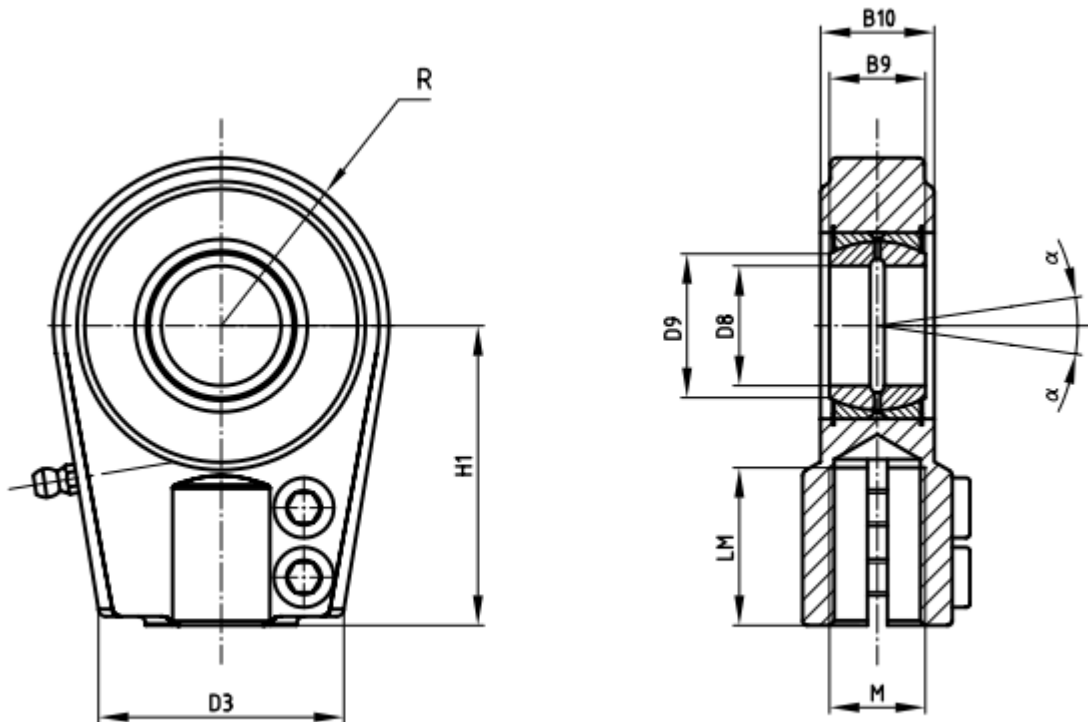
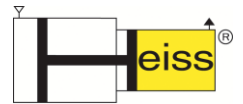


| Description | Dimensions: | | | | | | | | | | | Load rating: | | Column head bolt | Weight | | |
|-----------------|-------------|-----|----|-----|----------|----|-----|-----|-----|-----|-----|--------------|-------|------------------|------------|-------|------|
| | D8H8 | D9 | B9 | B10 | M | LM | H1 | R | D2 | D3 | L1 | α | C | C0 | S | MA | G |
| | [mm] | | | | | | | | | | | [°] | [kN] | | DIN912-8.8 | [Nm] | [kg] |
| CGKA 12 | 12 | 15 | 10 | 8 | M10x1,25 | 15 | 42 | 17 | 17 | 35 | 16 | 11 | 10,8 | 17,0 | M6 | 12,0 | 0,12 |
| CGKA 16 | 16 | 20 | 14 | 11 | M12x1,25 | 17 | 48 | 22 | 21 | 45 | 20 | 10 | 21,1 | 28,5 | M6 | 12,0 | 0,23 |
| CGKA 20 | 20 | 24 | 16 | 13 | M14x1,5 | 19 | 58 | 27 | 25 | 55 | 28 | 9 | 30,0 | 42,5 | M8 | 30,0 | 0,41 |
| CGKA 25 | 25 | 29 | 20 | 17 | M16x1,5 | 23 | 68 | 32 | 30 | 62 | 31 | 7 | 48,0 | 67,0 | M8 | 30,0 | 0,66 |
| CGKA 30 | 30 | 34 | 22 | 19 | M20x1,5 | 29 | 85 | 40 | 36 | 77 | 35 | 6 | 62,0 | 108,0 | M10 | 59,0 | 1,2 |
| CGKA 40 | 40 | 45 | 28 | 23 | M27x2 | 37 | 105 | 50 | 45 | 90 | 45 | 7 | 100,0 | 156,0 | M10 | 59,0 | 2,1 |
| CGKA 50 | 50 | 55 | 35 | 30 | M33x2 | 46 | 130 | 60 | 55 | 105 | 58 | 6 | 156,0 | 245,0 | M12 | 100,0 | 3,8 |
| CGKA 60 | 60 | 67 | 44 | 38 | M42x2 | 57 | 150 | 80 | 68 | 134 | 68 | 6 | 245,0 | 380,0 | M16 | 250,0 | 7,7 |
| CGKA 80 | 80 | 90 | 55 | 47 | M48x2 | 64 | 185 | 102 | 90 | 156 | 92 | 6 | 400,0 | 585,0 | M20 | 490,0 | 15,1 |
| CGKA 100 | 100 | 110 | 70 | 57 | M64x3 | 90 | 240 | 120 | 110 | 190 | 116 | 6 | 610,0 | 865,0 | M24 | 840,0 | 27,5 |

Design subject to change

Revision B * 30.04.2014 *K.E.*\.\Zubehör_english

Hydraulic Swivel Head CGAS

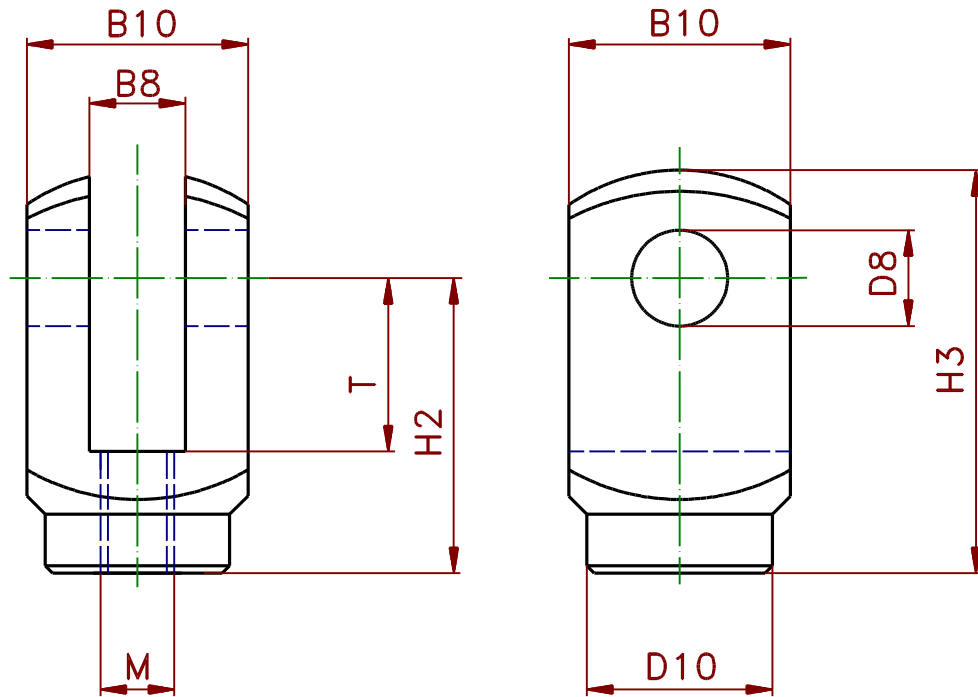


| Description: | Dimensions: | | | | | | | | | | Load rating: | | Weight: |
|-----------------|-------------|-----|-----|-----|--------|-----|-----|-----|-----|----------|--------------|----------------|---------|
| | D8 H8 | D9 | B9 | B10 | M | LM | H1 | R | D3 | α | C | C ₀ | G |
| | [mm] | | | | | | | | | | [°] | [kN] | |
| CGAS 25 | 25 | 29 | 20 | 23 | M18x2 | 30 | 65 | 28 | 48 | 7 | 48 | 82 | 0,62 |
| CGAS 30 | 30 | 34 | 22 | 28 | M24x2 | 35 | 75 | 32 | 56 | 6 | 62 | 122 | 0,88 |
| CGAS 35 | 35 | 40 | 25 | 30 | M30x2 | 46 | 90 | 39 | 70 | 6 | 80 | 177 | 1,52 |
| CGAS 40 | 40 | 45 | 28 | 35 | M39x3 | 56 | 105 | 47 | 78 | 7 | 100 | 287 | 2,43 |
| CGAS 50 | 50 | 56 | 35 | 40 | M50x3 | 76 | 135 | 58 | 88 | 6 | 156 | 422 | 4,75 |
| CGAS 60 | 60 | 67 | 44 | 50 | M64x3 | 96 | 170 | 65 | 118 | 6 | 245 | 522 | 8,55 |
| CGAS 70 | 70 | 78 | 49 | 53 | M80x3 | 112 | 195 | 77 | 138 | 6 | 315 | 707 | 12,24 |
| CGAS 80 | 80 | 80 | 55 | 60 | M90x3 | 122 | 210 | 88 | 168 | 6 | 400 | 870 | 18,35 |
| CGAS 90 | 90 | 98 | 60 | 65 | M100x3 | 142 | 250 | 103 | 180 | 5 | 490 | 1284 | 31,56 |
| CGAS 100 | 100 | 110 | 70 | 70 | M110x4 | 152 | 275 | 115 | 188 | 7 | 610 | 1460 | 34 |
| CGAS 110 | 110 | 121 | 70 | 80 | M120x4 | 162 | 300 | 132 | 210 | 6 | 655 | 2024 | 44 |
| CGAS 120 | 120 | 136 | 85 | 90 | M150x4 | 192 | 360 | 170 | 240 | 6 | 950 | 2970 | 75 |
| CGAS 140 | 140 | 165 | 90 | 110 | M160x4 | 209 | 420 | 190 | 248 | 7 | 1070 | 3340 | 160 |
| CGAS 160 | 160 | 183 | 105 | 110 | M180x4 | 280 | 480 | 240 | 290 | 8 | 1370 | 4302 | 185 |

Design subject to change

Revision C * 16.03.2018 *K.E.*\..Zubehör_english

Hydraulic Rod Clevis GA

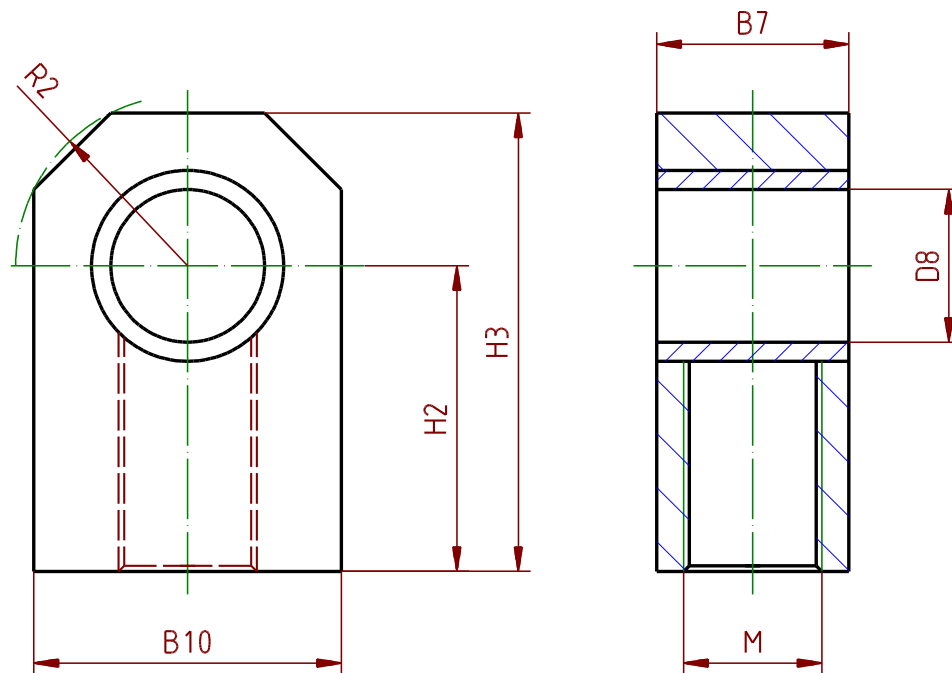


| Description: | Dimensions [mm] | | | | | | | |
|--------------|-----------------|----|-----|-----|-----|---------|-------|-----|
| | B10 | B8 | T | H2 | H3 | M | D8 H8 | D10 |
| GA 5 | 10 | 5 | 10 | 20 | 26 | M5 | 5 | 10 |
| GA 6 | 12 | 6 | 12 | 24 | 31 | M6 | 6 | 10 |
| GA 8 | 16 | 8 | 16 | 28 | 38 | M8 | 8 | 14 |
| GA 10 | 20 | 10 | 20 | 35 | 47 | M10 | 10 | 18 |
| GA 12 | 24 | 12 | 24 | 44 | 58 | M12 | 12 | 20 |
| GA 12 S | 24 | 12 | 24 | 44 | 58 | M14 | 12 | 20 |
| GA 14 | 27 | 14 | 28 | 48 | 64 | M14 | 14 | 24 |
| GA 16 | 32 | 16 | 32 | 54 | 73 | M16 | 16 | 26 |
| GA 20 | 40 | 20 | 40 | 65 | 90 | M20x1.5 | 20 | 34 |
| GA 25 | 50 | 25 | 50 | 80 | 112 | M24x2 | 25 | 42 |
| GA 30 | 55 | 30 | 54 | 87 | 125 | M30x2 | 30 | 48 |
| GA 35 | 70 | 35 | 72 | 114 | 158 | M36x2 | 35 | 60 |
| GA 40 | 85 | 40 | 84 | 132 | 196 | M35x1.5 | 40 | 70 |
| GA 50 | 100 | 40 | 70 | 130 | 195 | M45x1.5 | 50 | 90 |
| GA 60 | 130 | 50 | 75 | 140 | 210 | M58x1.5 | 60 | 120 |
| GA 70 | 140 | 55 | 75 | 160 | 230 | M65x1,5 | 70 | 130 |
| GA 80 | 150 | 60 | 80 | 185 | 260 | M80x2 | 80 | 140 |
| GA 100 | 200 | 70 | 125 | 260 | 360 | M110x2 | 100 | 190 |

Design subject to change

Revision B * 15.11.1996 *K.E.*\.\Zubehör_english

Hydraulic Rod End Straight Eye SK



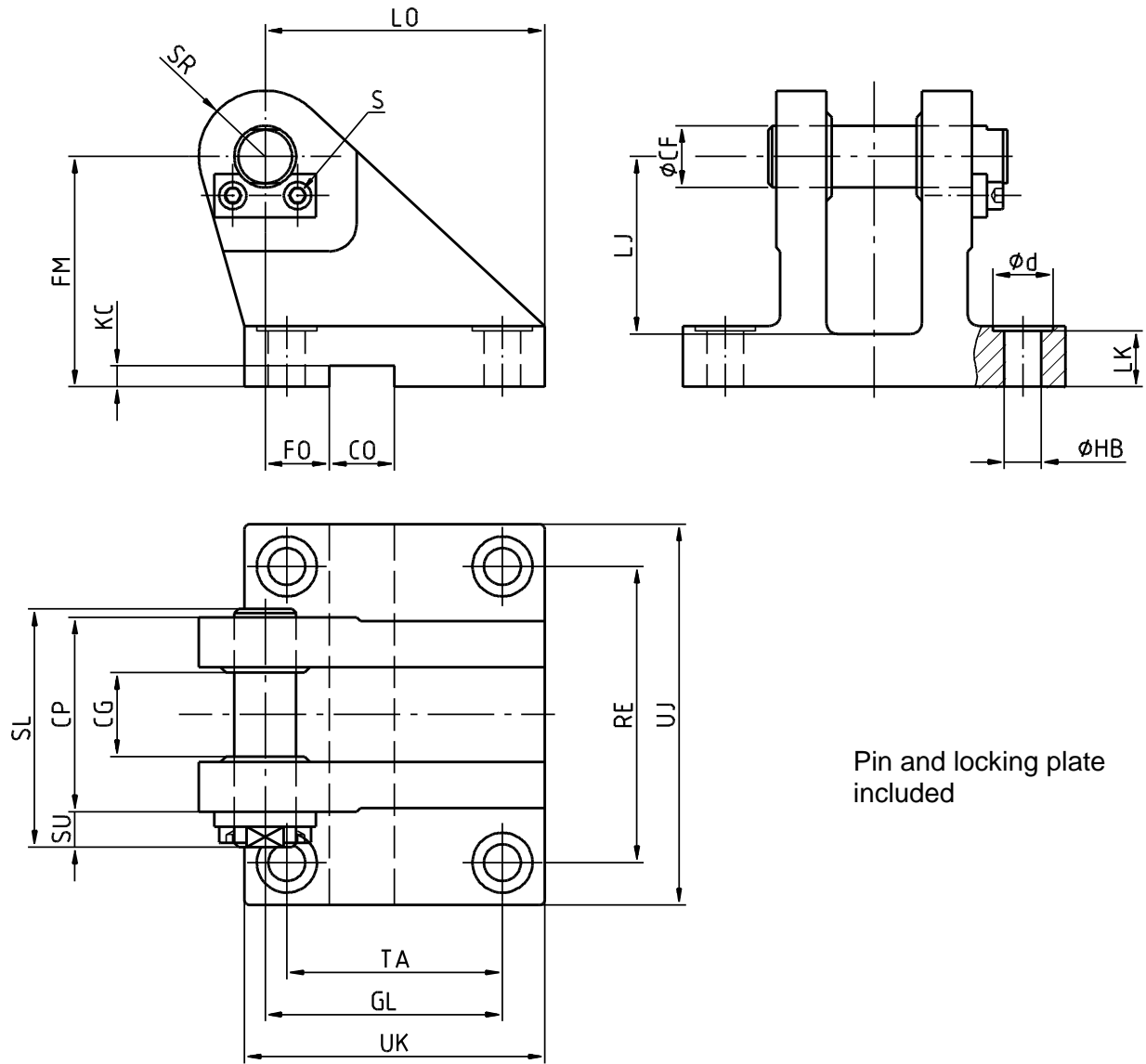
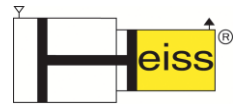
| Description: | Dimensions [mm] | | | | | | |
|--------------|-----------------|-----|-----|---------|-----|-----|-----|
| | D8 H8 | B7 | B10 | M | H2 | H3 | R |
| SK 5 | 5 | 8 | 15 | M5 | 18 | 25 | 8 |
| SK 6 | 6 | 8 | 20 | M6 | 18 | 28 | 12 |
| SK 8 | 8 | 10 | 20 | M8 | 20 | 30 | 12 |
| SK 10 | 10 | 12 | 20 | M10 | 25 | 35 | 12 |
| SK 12 | 12 | 15 | 25 | M14 | 28 | 40 | 15 |
| SK 14 | 14 | 15 | 25 | M14 | 28 | 40 | 15 |
| SK 16 | 16 | 20 | 30 | M16 | 35 | 50 | 17 |
| SK 20 | 20 | 25 | 40 | M20x1,5 | 40 | 60 | 23 |
| SK 25 | 25 | 32 | 50 | M24x2 | 50 | 75 | 29 |
| SK 30 | 30 | 40 | 60 | M30x2 | 55 | 85 | 34 |
| SK 40 | 40 | 50 | 80 | M35x1,5 | 80 | 120 | 45 |
| SK 50 | 50 | 60 | 100 | M45x1,5 | 100 | 150 | 56 |
| SK 60 | 60 | 80 | 120 | M58x1,5 | 110 | 180 | 77 |
| SK 70 | 70 | 90 | 140 | M65x1,5 | 120 | 190 | 77 |
| SK 80 | 80 | 100 | 160 | M80x2 | 140 | 220 | 86 |
| SK 100 | 100 | 120 | 200 | M110x2 | 180 | 280 | 108 |

Design subject to change

Revision B * 15.11.1996 *K.E.*\..Zubehör_english

Hydraulic Pivot Bracket GLB-LD

- according to DIN 24556 -

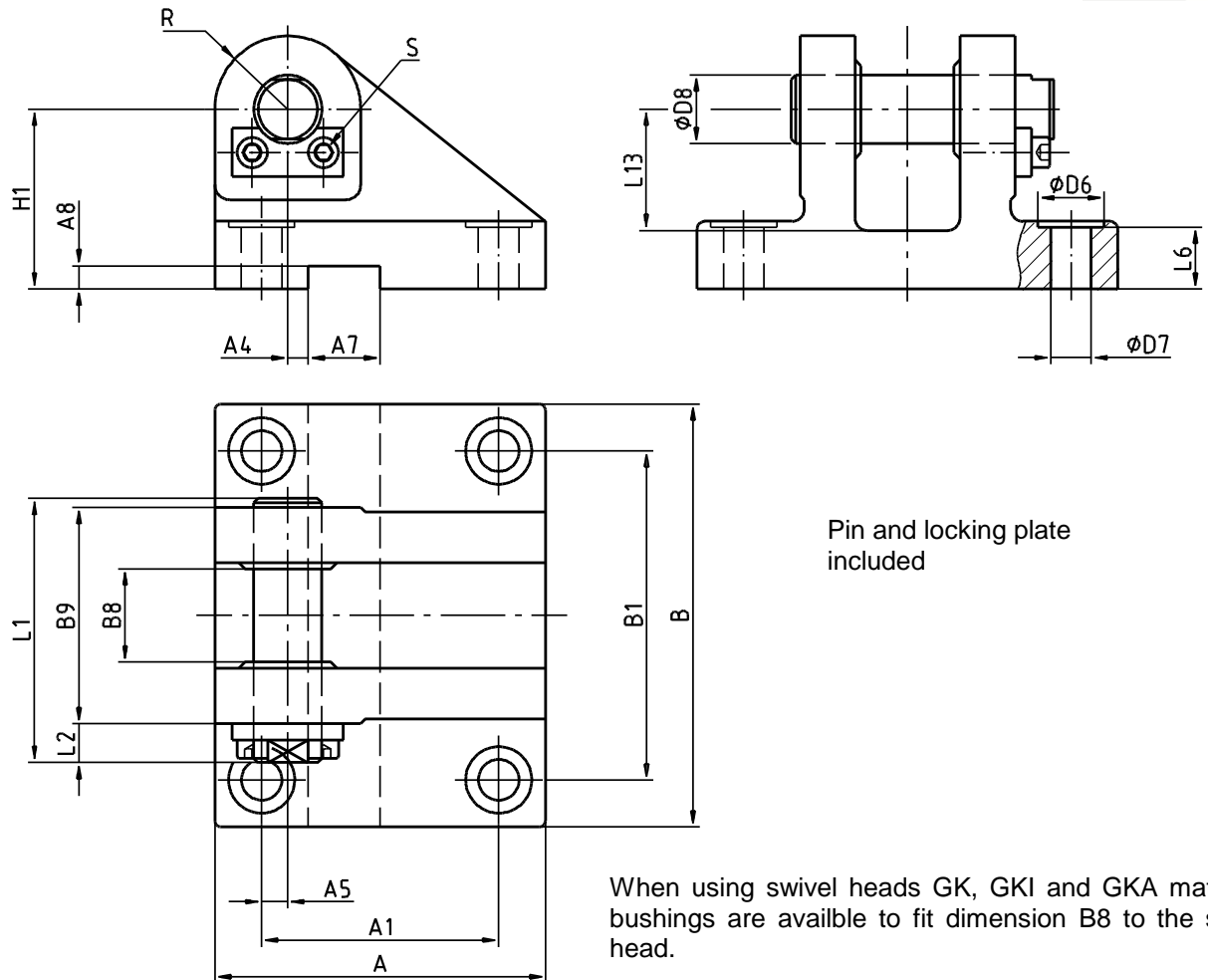
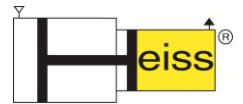


| Description: | Dimensions: | | | | | | | | | | | | | | | | | | | Cyl. head bolt Weight | | | |
|-------------------|-------------|------|----|----|----|-----|----|-----|------|------|-----|----|-----|-----|-----|-----|----|-----|-----|-----------------------|--------|------|-------|
| | CF | CP | CG | CO | d | FM | FO | GL | HB | KC | LJ | LK | LO | RE | SL | SR | SU | TA | UJ | UK | S | MA | G |
| | K7/h6 | +0,3 | | N9 | | | | | | | | | | | | | | | | | DIN912 | [Nm] | [kg] |
| GLB-LD 12 | 12 | 30 | 10 | 10 | 18 | 40 | 16 | 46 | 9 | 3,3 | 29 | 12 | 56 | 55 | 40 | 12 | 8 | 40 | 75 | 60 | M6 | 9,5 | 0,6 |
| GLB-LD 16 | 16 | 40 | 14 | 16 | 22 | 50 | 18 | 61 | 11 | 4,3 | 38 | 13 | 74 | 70 | 50 | 16 | 8 | 55 | 95 | 80 | M6 | 9,5 | 1,2 |
| GLB-LD 20 | 20 | 50 | 16 | 16 | 26 | 55 | 20 | 64 | 13,5 | 4,3 | 40 | 16 | 80 | 85 | 62 | 20 | 10 | 58 | 120 | 90 | M6 | 9,5 | 1,9 |
| GLB-LD 25 | 25 | 60 | 20 | 25 | 30 | 65 | 22 | 78 | 15,5 | 5,4 | 49 | 17 | 98 | 100 | 72 | 25 | 10 | 70 | 140 | 110 | M6 | 9,5 | 3,1 |
| GLB-LD 30 | 30 | 70 | 22 | 25 | 33 | 85 | 24 | 97 | 17,5 | 5,4 | 63 | 23 | 120 | 115 | 85 | 30 | 13 | 90 | 160 | 135 | M6 | 9,5 | 5,8 |
| GLB-LD 40 | 40 | 80 | 28 | 36 | 40 | 100 | 24 | 123 | 22 | 8,4 | 73 | 28 | 148 | 135 | 100 | 40 | 16 | 120 | 190 | 170 | M8 | 23,0 | 10,5 |
| GLB-LD 50 | 50 | 100 | 35 | 36 | 53 | 125 | 35 | 155 | 30 | 8,4 | 92 | 35 | 190 | 170 | 122 | 50 | 19 | 145 | 240 | 215 | M8 | 23,0 | 20,5 |
| GLB-LD 60 | 60 | 120 | 44 | 50 | 71 | 150 | 35 | 187 | 39 | 11,4 | 110 | 42 | 225 | 200 | 145 | 60 | 20 | 185 | 270 | 260 | M10 | 46,0 | 39,0 |
| GLB-LD 80 | 80 | 160 | 55 | 50 | 82 | 190 | 35 | 255 | 45 | 11,4 | 142 | 50 | 295 | 240 | 190 | 80 | 26 | 260 | 320 | 340 | M10 | 46,0 | 71,0 |
| GLB-LD 100 | 100 | 200 | 70 | 63 | 89 | 210 | 35 | 285 | 48 | 12,4 | 152 | 60 | 335 | 300 | 235 | 100 | 30 | 300 | 400 | 400 | M10 | 46,0 | 125,0 |

Design subject to change

Revision A * 20.12.1999 *K.E.*\..Zubehör_english

Hydraulic Pivot Bracket GLB-CB

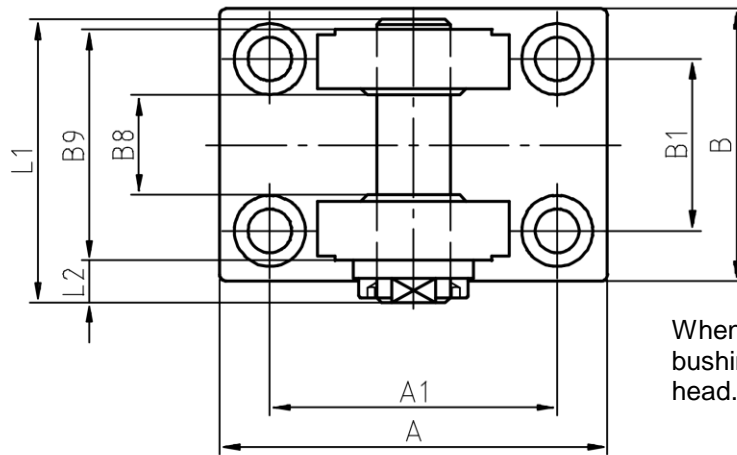
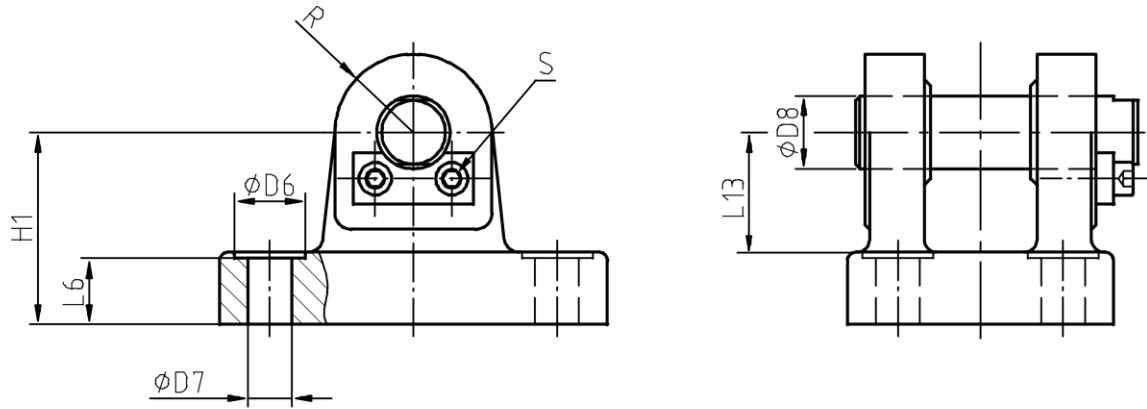


| Description: | Dimensions: | | | | | | | | | | | | | | | | | Cyl. head bolt | | Weight | | |
|--------------|-------------|-----------|-----|-----|-----|----|------|----------|------|-----|-----|-----|----|------|-----|----|------|----------------|------|--------|------|------|
| | D8 H9/m6 | B8 A12 | H1 | A | A1 | A4 | A5 | A7 N9 | A8 | B | B1 | B9 | D6 | D7 | L1 | L2 | L6 | L13 | R | S | MA | G |
| | [mm] | | | | | | | | | | | | | | | | | DIN912 | [Nm] | [kg] | | |
| GLB-CB 5 | 5 | 10 | 32 | 60 | 44 | 10 | 2 | 8 | 3,3 | 56 | 39 | 24 | 11 | 6,6 | 34 | 8 | 9 | 22 | 10 | M5 | 6,0 | 0,4 |
| GLB-CB 6 | 6 | 10 | 32 | 60 | 44 | 10 | 2 | 8 | 3,3 | 56 | 39 | 24 | 11 | 6,6 | 34 | 8 | 9 | 22 | 10 | M5 | 6,0 | 0,4 |
| GLB-CB 8 | 8 | 10 | 32 | 60 | 44 | 10 | 2 | 8 | 3,3 | 56 | 39 | 24 | 11 | 6,6 | 34 | 8 | 9 | 22 | 10 | M5 | 6,0 | 0,4 |
| GLB-CB 10 | 10 | 10 | 32 | 60 | 44 | 10 | 2 | 8 | 3,3 | 56 | 39 | 24 | 11 | 6,6 | 34 | 8 | 9 | 22 | 10 | M5 | 6,0 | 0,4 |
| GLB-CB 12 | 12 | 12 | 34 | 65 | 45 | 10 | 2 | 10 | 3,3 | 72 | 52 | 28 | 15 | 9 | 38 | 8 | 11 | 22 | 12 | M5 | 6,0 | 0,6 |
| GLB-CB 15 | 15 | 12 | 34 | 65 | 45 | 10 | 2 | 10 | 3,3 | 72 | 52 | 28 | 15 | 9 | 38 | 8 | 11 | 22 | 12 | M5 | 6,0 | 0,6 |
| GLB-CB 16 | 16 | 16 | 40 | 80 | 55 | 10 | 3,5 | 16 | 4,3 | 90 | 65 | 36 | 18 | 11 | 46 | 8 | 12 | 27 | 16 | M6 | 9,5 | 1,0 |
| GLB-CB 17 | 17 | 16 | 40 | 80 | 55 | 10 | 3,5 | 16 | 4,3 | 90 | 65 | 36 | 18 | 11 | 46 | 8 | 12 | 27 | 16 | M6 | 9,5 | 1,0 |
| GLB-CB 20 | 20 | 20 | 45 | 95 | 70 | 10 | 7,5 | 16 | 4,3 | 100 | 75 | 45 | 18 | 11 | 58 | 10 | 13,5 | 30 | 20 | M6 | 9,5 | 1,7 |
| GLB-CB 25 | 25 | 25 | 55 | 115 | 85 | 10 | 10 | 25 | 5,4 | 120 | 90 | 56 | 20 | 13,5 | 69 | 10 | 16,5 | 37 | 25 | M6 | 9,5 | 3,1 |
| GLB-CB 30 | 30 | 32 | 65 | 145 | 110 | 6 | 14,5 | 25 | 5,4 | 145 | 110 | 70 | 26 | 17,5 | 87 | 13 | 20 | 43 | 32 | M6 | 9,5 | 5,1 |
| GLB-CB 32 | 32 | 32 | 65 | 145 | 110 | 6 | 14,5 | 25 | 5,4 | 145 | 110 | 70 | 26 | 17,5 | 87 | 13 | 20 | 43 | 32 | M6 | 9,5 | 5,1 |
| GLB-CB 40 | 40 | 40 | 76 | 170 | 125 | 6 | 17,5 | 36 | 8,4 | 185 | 140 | 90 | 33 | 22 | 110 | 16 | 22 | 52 | 40 | M8 | 23,0 | 9,7 |
| GLB-CB 50 | 50 | 50 | 95 | 200 | 150 | 0 | 25 | 36 | 8,4 | 215 | 165 | 110 | 40 | 26 | 133 | 19 | 28 | 65 | 50 | M8 | 23,0 | 15,5 |
| GLB-CB 60 | 60 | 63 | 112 | 230 | 170 | 0 | 33 | 50 | 11,4 | 270 | 210 | 140 | 48 | 33 | 164 | 20 | 35 | 75 | 63 | M10 | 46,0 | 26,7 |
| GLB-CB 63 | 63 | 63 | 112 | 230 | 170 | 0 | 33 | 50 | 11,4 | 270 | 210 | 140 | 48 | 33 | 164 | 20 | 35 | 75 | 63 | M10 | 46,0 | 26,7 |
| GLB-CB 70 | 70 | 80 | 140 | 280 | 210 | 0 | 45 | 50 | 11,4 | 320 | 250 | 170 | 57 | 39 | 202 | 26 | 43 | 95 | 80 | M10 | 46,0 | 45,0 |
| GLB-CB 80 | 80 | 80 | 140 | 280 | 210 | 0 | 45 | 50 | 11,4 | 320 | 250 | 170 | 57 | 39 | 202 | 26 | 43 | 95 | 80 | M10 | 46,0 | 46,0 |
| GLB-CB 100 | 100 | 100 | 180 | 460 | 250 | 0 | 45 | 60 | 12,4 | 460 | 350 | 230 | 89 | 48 | 265 | 30 | 55 | 122 | 100 | M10 | 46,0 | 165 |

Design subject to change

Revision B * 17.04.2001 *K.E.*\.\Zubehö_r_english

Hydraulic Pivot Bracket GLB-CA



Pin and locking plate included

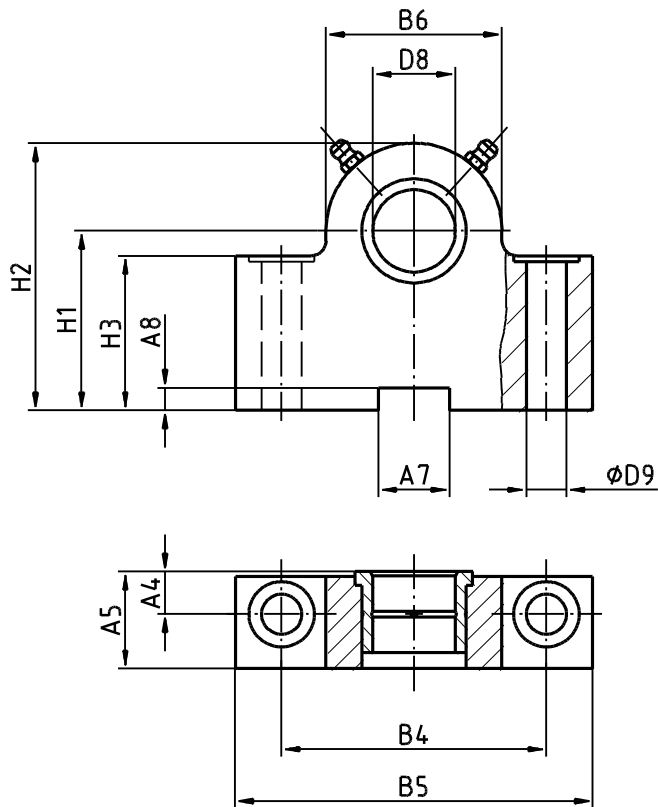
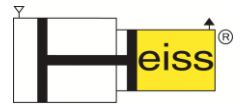
When using swivel heads GK, GKI and GKA matching bushings are available to fit dimension B8 to the swivel head.

| Description: | Dimensions: | | | | | | | | | | | | | | Cyl.head bolt | | Weight | |
|-------------------|-------------|-----------|-----|-----|-----|-----|-----|-----|----|------|-----|----|------|-----|---------------|------|--------|------|
| | D8 H9/m6 | B8 A12 | H1 | A | A1 | B | B1 | B9 | D6 | D7 | L1 | L2 | L6 | L13 | R | S | MA | G |
| | [mm] | | | | | | | | | | | | | | DIN912 | [Nm] | [kg] | |
| GLB-CA 5 | 5 | 10 | 32 | 60 | 42 | 33 | 17 | 24 | 11 | 6,6 | 34 | 8 | 9 | 22 | 10 | M5 | 6,0 | 0,3 |
| GLB-CA 6 | 6 | 10 | 32 | 60 | 42 | 33 | 17 | 24 | 11 | 6,6 | 34 | 8 | 9 | 22 | 10 | M5 | 6,0 | 0,3 |
| GLB-CA 8 | 8 | 10 | 32 | 60 | 42 | 33 | 17 | 24 | 11 | 6,6 | 34 | 8 | 9 | 22 | 10 | M5 | 6,0 | 0,3 |
| GLB-CA 10 | 10 | 10 | 32 | 60 | 42 | 33 | 17 | 24 | 11 | 6,6 | 34 | 8 | 9 | 22 | 10 | M5 | 6,0 | 0,3 |
| GLB-CA 12 | 12 | 12 | 34 | 70 | 50 | 40 | 20 | 28 | 15 | 9 | 38 | 8 | 11 | 22 | 12 | M5 | 6,0 | 0,4 |
| GLB-CA 15 | 15 | 12 | 34 | 70 | 50 | 40 | 20 | 28 | 15 | 9 | 38 | 8 | 11 | 22 | 12 | M5 | 6,0 | 0,4 |
| GLB-CA 16 | 16 | 16 | 40 | 90 | 65 | 50 | 26 | 36 | 18 | 11 | 46 | 8 | 12 | 27 | 16 | M6 | 9,5 | 0,7 |
| GLB-CA 17 | 17 | 16 | 40 | 90 | 65 | 50 | 26 | 36 | 18 | 11 | 46 | 8 | 12 | 27 | 16 | M6 | 9,5 | 0,7 |
| GLB-CA 20 | 20 | 20 | 45 | 98 | 75 | 58 | 32 | 45 | 18 | 11 | 58 | 10 | 13,5 | 30 | 20 | M6 | 9,5 | 1,1 |
| GLB-CA 25 | 25 | 25 | 55 | 113 | 85 | 70 | 40 | 56 | 20 | 13,5 | 69 | 10 | 16,5 | 37 | 25 | M6 | 9,5 | 2,0 |
| GLB-CA 30 | 30 | 32 | 65 | 143 | 110 | 85 | 50 | 70 | 26 | 17,5 | 87 | 13 | 20 | 43 | 32 | M6 | 9,5 | 3,5 |
| GLB-CA 32 | 32 | 32 | 65 | 143 | 110 | 85 | 50 | 70 | 26 | 17,5 | 87 | 13 | 20 | 43 | 32 | M6 | 9,5 | 3,5 |
| GLB-CA 40 | 40 | 40 | 76 | 170 | 130 | 108 | 65 | 90 | 33 | 22 | 110 | 16 | 22 | 52 | 40 | M8 | 23,0 | 6,2 |
| GLB-CA 50 | 50 | 50 | 95 | 220 | 170 | 130 | 80 | 110 | 40 | 26 | 133 | 19 | 28 | 65 | 50 | M8 | 23,0 | 12,1 |
| GLB-CA 60 | 60 | 63 | 112 | 270 | 210 | 160 | 100 | 140 | 48 | 33 | 164 | 20 | 35 | 75 | 63 | M10 | 46,0 | 19,7 |
| GLB-CA 63 | 63 | 63 | 112 | 270 | 210 | 160 | 100 | 140 | 48 | 33 | 164 | 20 | 35 | 75 | 63 | M10 | 46,0 | 19,7 |
| GLB-CA 70 | 70 | 80 | 140 | 320 | 250 | 210 | 125 | 170 | 57 | 39 | 202 | 26 | 43 | 95 | 80 | M10 | 46,0 | 36,0 |
| GLB-CA 80 | 80 | 80 | 140 | 320 | 250 | 210 | 125 | 170 | 57 | 39 | 202 | 26 | 43 | 95 | 80 | M10 | 46,0 | 37,0 |
| GLB-CA 100 | 100 | 100 | 180 | 410 | 300 | 275 | 165 | 230 | 89 | 48 | 265 | 30 | 55 | 122 | 100 | M10 | 46,0 | 84,0 |

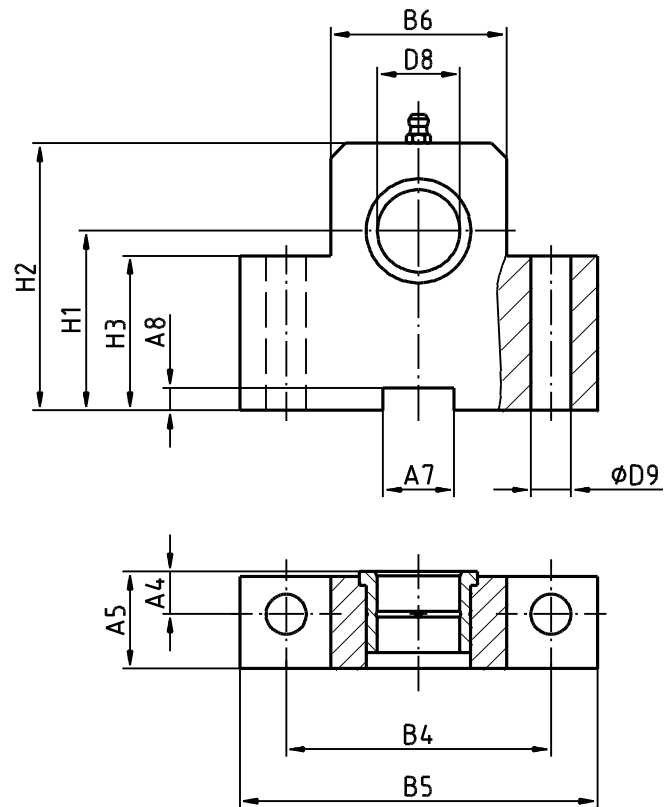
Design subject to change

Revision A * 22.12.1999 *K.E.*\..Zubehör_english

Hydraulic Pillow Block SLB



SLB 25 – SLB 100



SLB 5 – SLB 20

| Description: | Dimensions: | | | | | | | | | | | | Nom. force | Weight |
|--------------|-------------|----|-----|------|------|-----|-----|-----|------|-----|-----|-----|------------|--------|
| | D8H7 | A4 | A5 | A7N9 | A8 | B4 | B5 | B6 | D9 | H1 | H2 | H3 | F | G |
| | [mm] | | | | | | | | | | | | [kN] | [kg] |
| SLB 5 | 5 | 7 | 13 | 8 | 2,2 | 33 | 45 | 20 | 5,5 | 22 | 30 | 15 | 2,0 | 0,3 |
| SLB 6 | 6 | 7 | 13 | 8 | 2,2 | 33 | 45 | 20 | 5,5 | 22 | 30 | 15 | 3,2 | 0,3 |
| SLB 8 | 8 | 7 | 13 | 8 | 2,2 | 33 | 45 | 20 | 5,5 | 22 | 30 | 15 | 5,0 | 0,3 |
| SLB 10 | 10 | 8 | 17 | 10 | 3,3 | 40 | 63 | 25 | 9 | 34 | 49 | 25 | 8,0 | 0,5 |
| SLB 12 | 12 | 8 | 17 | 10 | 3,3 | 40 | 63 | 25 | 9 | 34 | 49 | 25 | 12,0 | 0,5 |
| SLB 14 | 14 | 10 | 21 | 16 | 4,3 | 50 | 80 | 30 | 11 | 40 | 59 | 30 | 14,0 | 0,8 |
| SLB 15 | 15 | 10 | 21 | 16 | 4,3 | 50 | 80 | 30 | 11 | 40 | 59 | 30 | 16,0 | 0,8 |
| SLB 16 | 16 | 10 | 21 | 16 | 4,3 | 50 | 80 | 30 | 11 | 40 | 59 | 30 | 20,0 | 0,8 |
| SLB 17 | 17 | 10 | 21 | 16 | 4,3 | 50 | 80 | 30 | 11 | 40 | 59 | 30 | 20,0 | 0,8 |
| SLB 20 | 20 | 10 | 21 | 16 | 4,3 | 60 | 90 | 40 | 11 | 45 | 69 | 38 | 32,0 | 1,2 |
| SLB 25 | 25 | 12 | 26 | 25 | 5,4 | 80 | 110 | 56 | 13,5 | 55 | 80 | 45 | 50,0 | 2,1 |
| SLB 30 | 30 | 15 | 33 | 25 | 5,4 | 110 | 150 | 70 | 17,5 | 65 | 100 | 52 | 78,0 | 4,6 |
| SLB 32 | 32 | 15 | 33 | 25 | 5,4 | 110 | 150 | 70 | 17,5 | 65 | 100 | 52 | 80,0 | 4,6 |
| SLB 40 | 40 | 16 | 41 | 36 | 8,4 | 125 | 170 | 88 | 22 | 76 | 120 | 60 | 125,0 | 7,8 |
| SLB 50 | 50 | 20 | 51 | 36 | 8,4 | 160 | 210 | 100 | 26 | 95 | 140 | 75 | 195,0 | 14,1 |
| SLB 60 | 60 | 25 | 61 | 50 | 11,4 | 200 | 265 | 130 | 33 | 112 | 177 | 85 | 300,0 | 23,4 |
| SLB 63 | 63 | 25 | 61 | 50 | 11,4 | 200 | 265 | 130 | 33 | 112 | 177 | 85 | 300,0 | 23,4 |
| SLB 70 | 70 | 31 | 81 | 50 | 11,4 | 250 | 325 | 160 | 39 | 140 | 220 | 112 | 400,0 | 53,0 |
| SLB 80 | 80 | 31 | 81 | 50 | 11,4 | 250 | 325 | 160 | 39 | 140 | 220 | 112 | 500,0 | 53,0 |
| SLB 100 | 100 | 49 | 103 | 60 | 12,4 | 300 | 400 | 200 | 45 | 165 | 265 | 120 | 780,0 | 98,0 |

Design subject to change

Revision A * 22.12.1999 *K.E.*\..\Zubehör_english