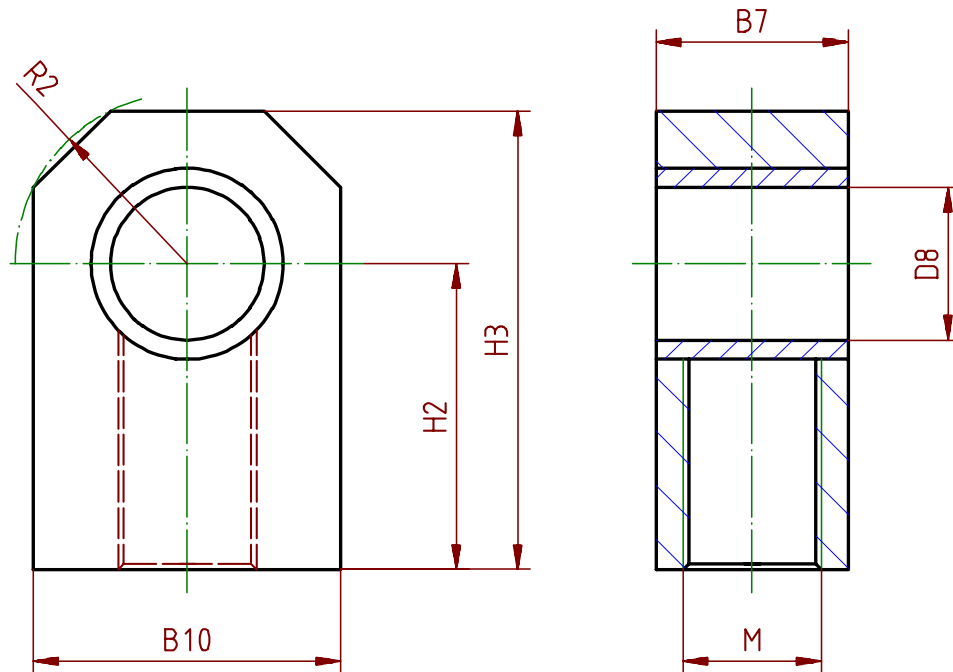
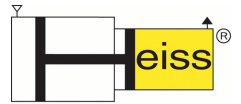


Hydraulic Rod End Straight Eye SK



Description:	Dimensions [mm]						
	D8 H8	B7	B10	M	H2	H3	R
SK 5	5	8	15	M5	18	25	8
SK 6	6	8	20	M6	18	28	12
SK 8	8	10	20	M8	20	30	12
SK 10	10	12	20	M10	25	35	12
SK 12	12	15	25	M14	28	40	15
SK 14	14	15	25	M14	28	40	15
SK 16	16	20	30	M16	35	50	17
SK 20	20	25	40	M20x1,5	40	60	23
SK 25	25	32	50	M24x2	50	75	29
SK 30	30	40	60	M30x2	55	85	34
SK 40	40	50	80	M35x1,5	80	120	45
SK 50	50	60	100	M45x1,5	100	150	56
SK 60	60	80	120	M58x1,5	110	180	77
SK 70	70	90	140	M65x1,5	120	190	77
SK 80	80	100	160	M80x2	140	220	86
SK 100	100	120	200	M110x2	180	280	108

Design subject to change

Revision B * 15.11.1996 *K.E.*\..Zubehör_english