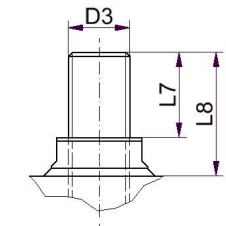
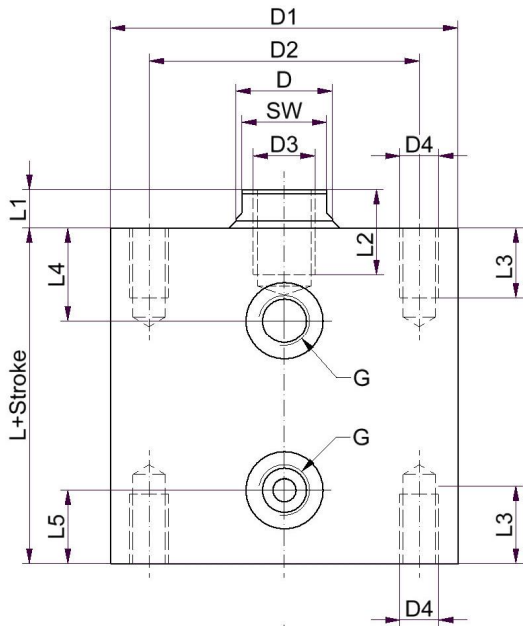
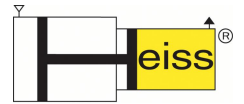
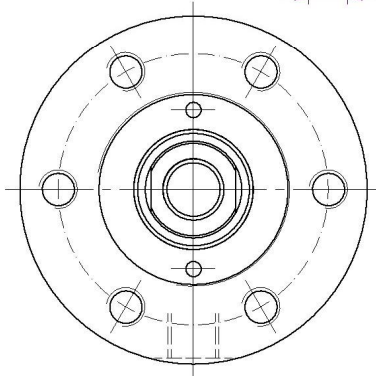
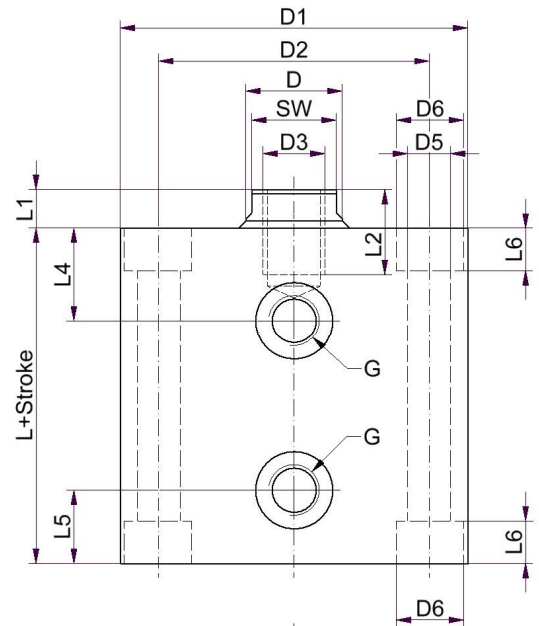


# Hydraulic Short Stroke Cylinder HKZ 500

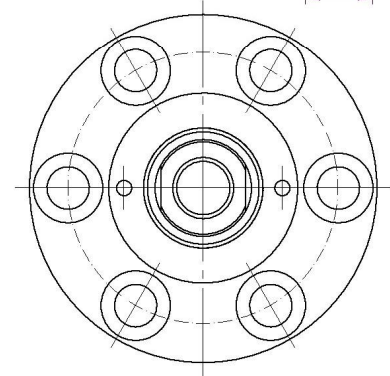


Piston rod end X1  
With inserted  
threaded pin,  
Starting from M20  
piston rod with male  
thread



## Configuration A

4 or 6 threaded blind holes  
on both sides



## Configuration B

4 or 6 through holes countersunk for  
cylinder head bolts DIN 912 on both sides

Piston-ø	16	20	25	32	40	50	63	80	100	125	160	200
D rod ø	10	12	16	20	25	32	40	50	60	80	100	125
Nominal stroke	16	16	20	25	25	25	30	30	40	40	40	40
L	50	52	54	58	62	72	82	97	100	120	140	170
G	G1/4"	G1/4"	G1/4"	G1/4"	G1/4"	G1/4"	G1/2"	G1/2"	G1/2"	G1/2"	G1/2"	G3/4"
D1	60	60	65	75	90	100	125	160	200	240	310	360
D2	44	46	50	58	70	80	100	130	160	190	250	290
D3	M6	M8	M10	M12	M16	M20	M27	M30	M42	M48x2	M56x2	M70x2
D4	4xM6	4xM6	6xM6	6xM8	6xM10	6xM10	6xM12	6xM16	6xM20	6xM24	6xM30	6xM36
D5	4xø6,5	4xø6,5	6xø6,5	6xø9	6xø11	6xø11	6xø13,5	6xø17,5	6x ø22	6xø25	6xø32	6xø39
D6	11	11	11	15	18	18	20	26	33	40	48	57
L1	6	7	7	10	10	10	14	14	15	16	22	28
L2	15	15	15	25	30	35	40	40	55	60	70	85
L3	15	15	15	18	18	20	20	25	30	35	45	55
L4	17	20	19	22	25	27	28	35	37	51	55	65
L5	17	17	17	19	19	19	23	25	25	25	35	40
L6	7	7	7	9	11	11	13	17,5	21,5	25,5	32	38
L7	15	15	15	20	20	20	25	30	35	40	45	55
L8	21	22	22	30	30	30	39	44	50	56	67	83
SW	8	10	14	17	22	30	36	46	55	75	95	115

Design subject to change

Revision B \* 20.03.13