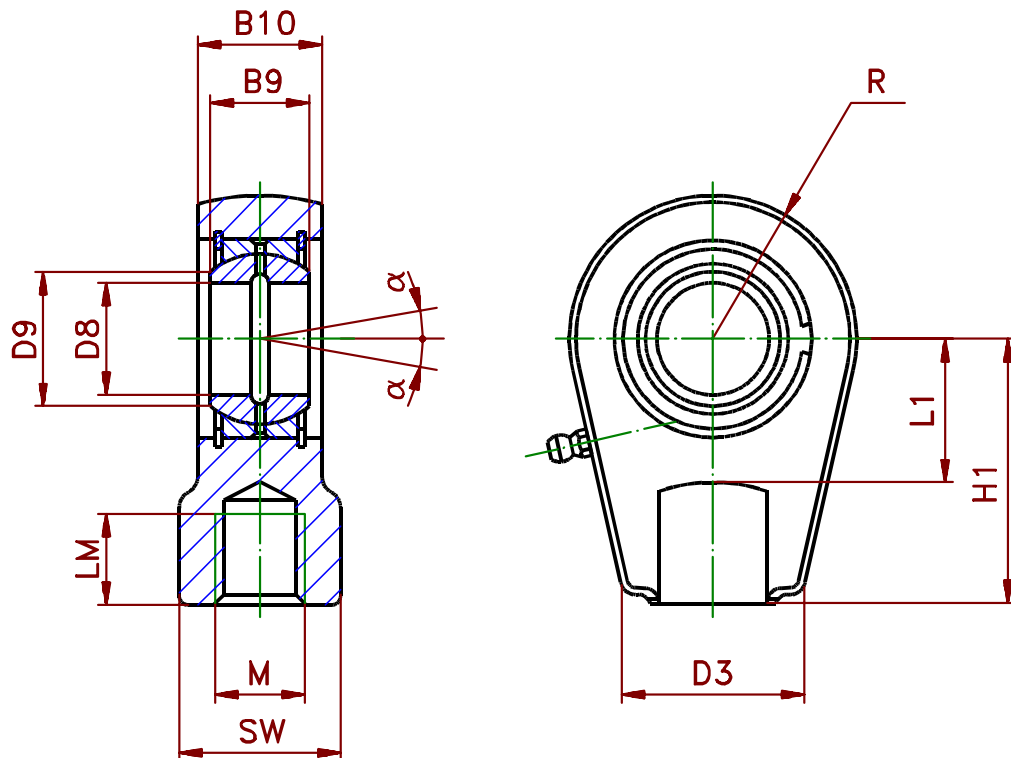


Hydraulic Swivel Head GKA



Swivel head also available with lockable thread.
Please add " - K " when ordering. Example: GKA 20 - K

Description:	Dimensions:												Load rating:		Weight:
	D8 H8	D9	B9	B10	M	LM	H1	R	D3	L1	SW	α	C	C ₀	G
	[mm]												[°]	[kN]	
GKA 20	20	24	16	19	M16x1,5	17	50	30	41	25	25	9	30	72	0,43
GKA 25	25	29	20	23	M16x1,5	17	50	30	41	25	25	7	48	72	0,48
GKA 30	30	34	22	28	M22x1,5	23	60	34	46	30	32	6	62	106	0,74
GKA 35	35	40	25	30	M28x1,5	29	70	42	58	38	40	6	80	153	1,2
GKA 40	40	45	28	35	M35x1,5	36	85	50	66	45	49	7	100	250	2,0
GKA 50	50	56	35	40	M45x1,5	46	105	63	88	55	61	6	156	365	3,8
GKA 60	60	67	44	50	M58x1,5	59	130	70	90	65	75	6	245	400	5,4
GKA 70	70	78	49	55	M65x1,5	66	150	82	100	75	86	6	315	540	8,5
GKA 80	80	88	55	60	M80x2	81	170	95	125	80	102	6	400	670	12,0
GKA 90	90	98	60	65	M100x2	101	210	113	146	90	124	5	490	980	21,5
GKA 100	100	110	70	70	M110x2	111	235	125	166	105	138	7	610	1120	27,5
GKA 110	110	121	70	80	M120x3	125	265	143	190	115	152	6	655	1700	40,5
GKA 120	120	136	85	90	M130x3	135	310	180	217	140	172	6	950	2900	76,0

Design subject to change

Revision C * 30.04.2014 *K.E.*\.\Zubehör_english