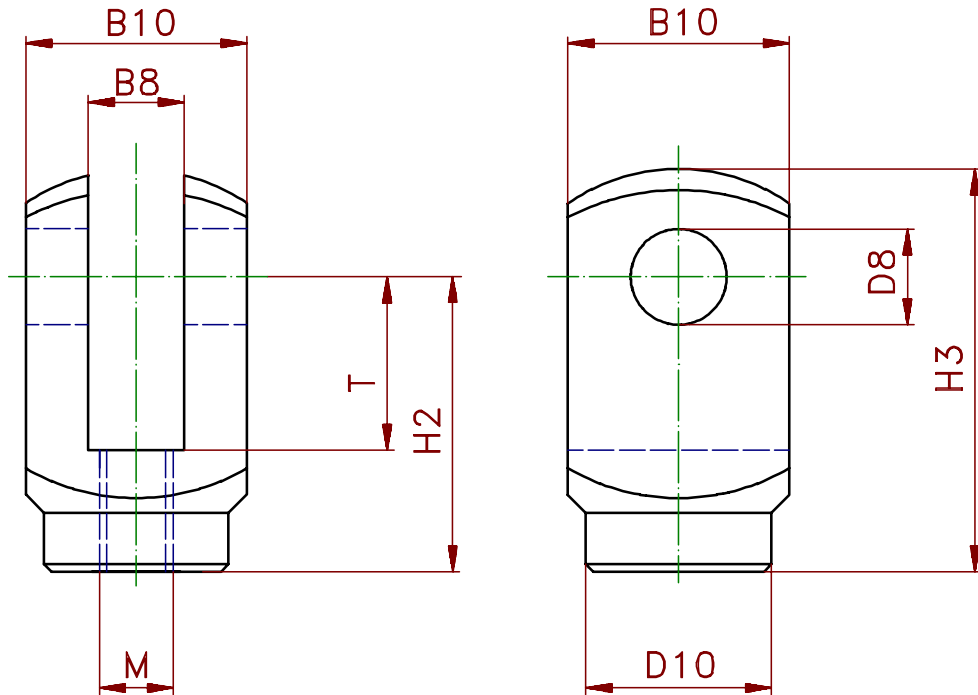


Hydraulic Rod Clevis GA



Description:	Dimensions [mm]							
	B10	B8	T	H2	H3	M	D8 H8	D10
GA 5	10	5	10	20	26	M5	5	10
GA 6	12	6	12	24	31	M6	6	10
GA 8	16	8	16	28	38	M8	8	14
GA 10	20	10	20	35	47	M10	10	18
GA 12	24	12	24	44	58	M12	12	20
GA 12 S	24	12	24	44	58	M14	12	20
GA 14	27	14	28	48	64	M14	14	24
GA 16	32	16	32	54	73	M16	16	26
GA 20	40	20	40	65	90	M20x1.5	20	34
GA 25	50	25	50	80	112	M24x2	25	42
GA 30	55	30	54	87	125	M30x2	30	48
GA 35	70	35	72	114	158	M36x2	35	60
GA 40	85	40	84	132	196	M35x1.5	40	70
GA 50	100	40	70	130	195	M45x1.5	50	90
GA 60	130	50	75	140	210	M58x1.5	60	120
GA 70	140	55	75	160	230	M65x1,5	70	130
GA 80	150	60	80	185	260	M80x2	80	140
GA 100	200	70	125	260	360	M110x2	100	190

Design subject to change

Revision B * 15.11.1996 *K.E.*\..Zubehör_english