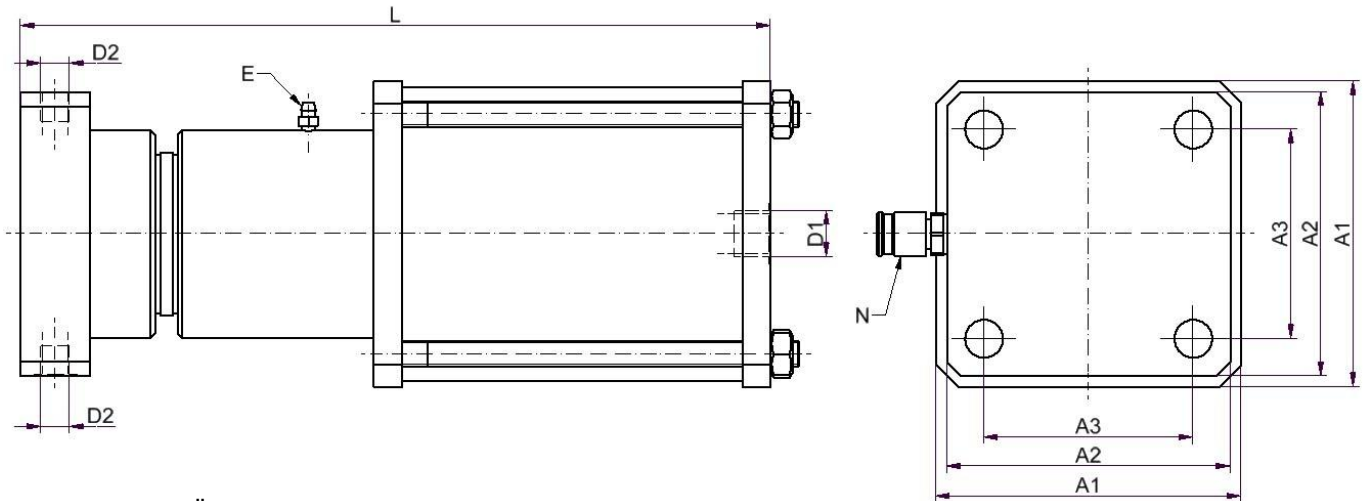
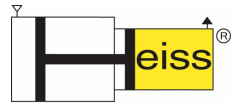


# Druckübersetzer PHU



E = Entlüftung Ölseite

N = Nachfüllung Ölseite über Minimesanschluss M16x2

| Typen-<br>bezeichnung | Übersetzungs-<br>verhältnis i | Verdrängervo-<br>lumen [cm <sup>3</sup> ] | Primärdruck P<br>Luft max. [bar] | Sekundärdruck<br>P Öl max. [bar] | Anschluss D1<br>Luft | Anschluss D2<br>Öl (2x) | L   | A1  | A2  | A3  | D3   |
|-----------------------|-------------------------------|---|----------------------------------|----------------------------------|----------------------|-------------------------|-----|-----|-----|-----|------|
| PHU 80 / 40           | 1:4                           | 100                                       | 10                               | 40                               | G1/2"                | G1/4"                   | 300 | 100 | 90  | 62  | 11   |
| PHU 100 / 50          |                               | 200                                       |                                  |                                  | G1/2"                | G1/4"                   | 385 | 110 | 100 | 70  | 13,5 |
| PHU 125 / 63          |                               | 400                                       |                                  |                                  | G1/2"                | G1/2"                   | 414 | 140 | 110 | 80  | 13,5 |
| PHU 160 / 80          |                               | 800                                       |                                  |                                  | G3/4"                | G1/2"                   | 450 | 180 | 130 | 96  | 17,5 |
| PHU 200 / 100         |                               | 1600                                      |                                  |                                  | G3/4"                | G1/2"                   | 560 | 220 | 150 | 115 | 17,5 |
| PHU 250 / 125         |                               | 3200                                      |                                  |                                  | G1"                  | G1/2"                   | 710 | 280 | 180 | 150 | 17,5 |
| PHU 320 / 160         |                               | 6400                                      |                                  |                                  | G1"                  | G3/4"                   | 860 | 350 | 220 | 190 | 17,5 |
| PHU 80 / 28           | 1:8                           | 50  | 10                               | 80                               | G1/2"                | G1/4"                   | 300 | 100 | 100 | 70  | 13,5 |
| PHU 100 / 36          |                               | 100                                       |                                  |                                  | G1/2"                | G1/4"                   | 385 | 110 | 110 | 80  | 13,5 |
| PHU 125 / 45          |                               | 200                                       |                                  |                                  | G1/2"                | G1/4"                   | 414 | 140 | 130 | 96  | 17,5 |
| PHU 160 / 56          |                               | 400                                       |                                  |                                  | G3/4"                | G1/2"                   | 450 | 180 | 150 | 115 | 17,5 |
| PHU 200 / 70          |                               | 800                                       |                                  |                                  | G3/4"                | G1/2"                   | 560 | 220 | 150 | 115 | 17,5 |
| PHU 250 / 90          |                               | 1600                                      |                                  |                                  | G1"                  | G1/2"                   | 710 | 280 | 150 | 115 | 17,5 |
| PHU 320 / 110         |                               | 3200                                      |                                  |                                  | G1"                  | G1/2"                   | 860 | 350 | 180 | 150 | 17,5 |
| PHU 80 / 20           | 1:16                          | 25  | 10                               | 160                              | G1/2"                | G1/4"                   | 300 | 100 | 50  | 36  | 7    |
| PHU 100 / 25          |                               | 50  |                                  |                                  | G1/2"                | G1/4"                   | 385 | 110 | 50  | 36  | 7    |
| PHU 125 / 32          |                               | 100                                       |                                  |                                  | G1/2"                | G1/4"                   | 414 | 140 | 65  | 48  | 9    |
| PHU 160 / 40          |                               | 200                                       |                                  |                                  | G3/4"                | G1/4"                   | 450 | 180 | 90  | 62  | 11   |
| PHU 200 / 50          |                               | 400                                       |                                  |                                  | G3/4"                | G1/4"                   | 560 | 220 | 100 | 70  | 13,5 |
| PHU 250 / 63          |                               | 800                                       |                                  |                                  | G1"                  | G1/2"                   | 710 | 280 | 110 | 80  | 13,5 |
| PHU 320 / 80          |                               | 1600                                      |                                  |                                  | G1"                  | G1/2"                   | 860 | 350 | 130 | 96  | 17,5 |
| PHU 80 / 16           | 1:25                          | 15  | 10                               | 250                              | G1/2"                | G1/4"                   | 300 | 100 | 65  | 48  | 9    |
| PHU 100 / 20          |                               | 30  |                                  |                                  | G1/2"                | G1/4"                   | 385 | 110 | 90  | 62  | 11   |
| PHU 125 / 25          |                               | 60  |                                  |                                  | G1/2"                | G1/4"                   | 414 | 140 | 100 | 70  | 13,5 |
| PHU 160 / 32          |                               | 120                                       |                                  |                                  | G3/4"                | G1/4"                   | 450 | 180 | 110 | 80  | 13,5 |
| PHU 200 / 40          |                               | 250                                       |                                  |                                  | G3/4"                | G1/4"                   | 560 | 220 | 130 | 96  | 17,5 |
| PHU 250 / 50          |                               | 500                                       |                                  |                                  | G1"                  | G1/4"                   | 710 | 280 | 150 | 115 | 17,5 |
| PHU 320 / 63          |                               | 1000                                      |                                  |                                  | G1"                  | G1/2"                   | 860 | 350 | 170 | 130 | 17,5 |

Technische Änderungen vorbehalten

Revision B\* 15.04.13